



Jandy Pro Series Spring Check Valve Installation Instructions

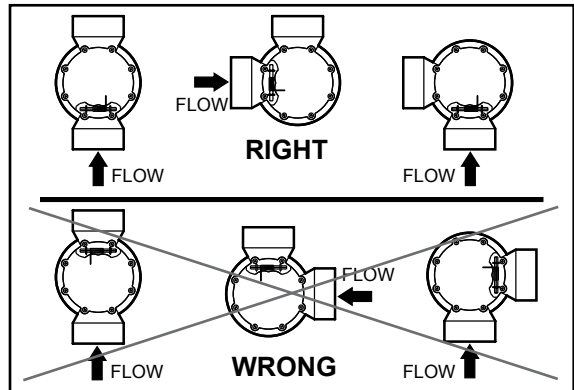
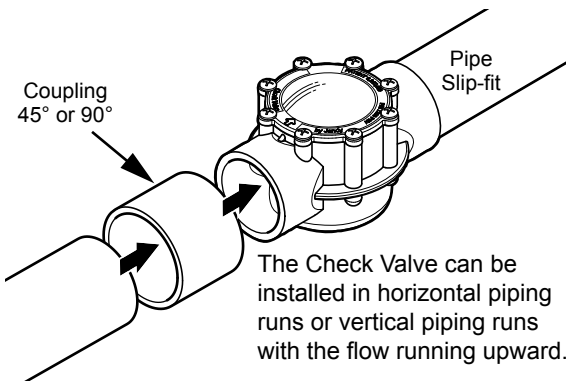
⚠ WARNING

FOR YOUR SAFETY - This product must be installed and serviced by a contractor who is licensed and qualified in pool equipment by the jurisdiction in which the product will be installed where such state or local requirements exist. The maintainer must be a professional with sufficient experience in pool equipment installation and maintenance so that all of the instructions in this manual can be followed exactly. Before installing this product, read and follow all warning notices and instructions that accompany this product. Failure to follow warning notices and instructions may result in property damage, personal injury, or death. Improper installation and/or operation will void the warranty.

IMPORTANT NOTE: This Check Valve is not designed for use with air blowers.

Plumbing for 1½" - 2" Valve

One Check Valve is designed for both 1½" and 2" pipe. 1½" pipe slip-fits into valve ports. 2" pipe is joined using a 2" pipe coupling, a 45 degree elbow, or a 90 degree elbow. The internal valve assembly must be removed prior to gluing the valve body to pipe fittings. Make certain no glue enters the valve body beyond the ports. **WELD-ON 724 CPVC GRAY IS RECOMMENDED.**



Plumbing for 2" - 2½" Valve

One Check Valve is designed for both 2" and 2½" pipe. 2" pipe slip-fits into valve ports. 2½" pipe is joined using a 2½" pipe coupling, a 45 degree elbow, or a 90 degree elbow. The internal valve assembly must be removed prior to gluing the valve body to pipe fittings. Make certain no glue enters the valve body beyond the ports. **WELD-ON 724 CPVC GRAY IS RECOMMENDED.**

Plumbing for 2½" - 3" Valve

One Check Valve is designed for both 2½" and 3" pipe. 2½" pipe slip-fits into valve ports. 3" pipe is joined using a 3" pipe coupling, a 45 degree elbow, or a 90 degree elbow. The internal valve assembly must be removed prior to gluing the valve body to pipe fittings. Make certain no glue enters the valve body beyond the ports. **WELD-ON 724 CPVC GRAY IS RECOMMENDED.**

CAUTION

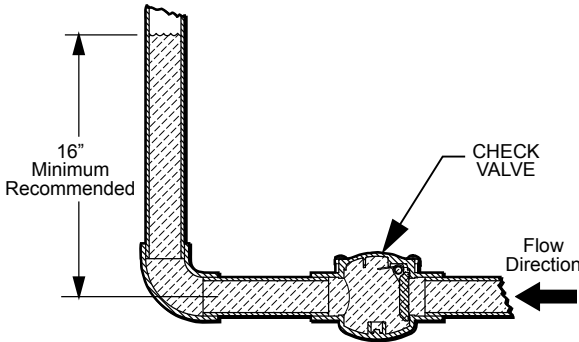
Important Mounting Instructions - Check Valve mounting for vertical installations is critical. See examples below. Improper orientation of the check valve can result in property damage.

MAINTENANCE

The clear cover allows inspection of the Check Valve operation. If necessary, the valve can be disassembled and the o-ring and valve body can be inspected for damage. The o-ring should be thoroughly greased with silicone lubricant (MIL-S-8660) and the valve reassembled.

IMPORTANT CHECK VALVE LOCATION

For optimal sealing performance, locate the Check Valve at the lowest elevation possible in the plumbing. This allows the weight of the water column to help seal the Check Valve for a good seal. A minimum of 16" of water column is recommended.



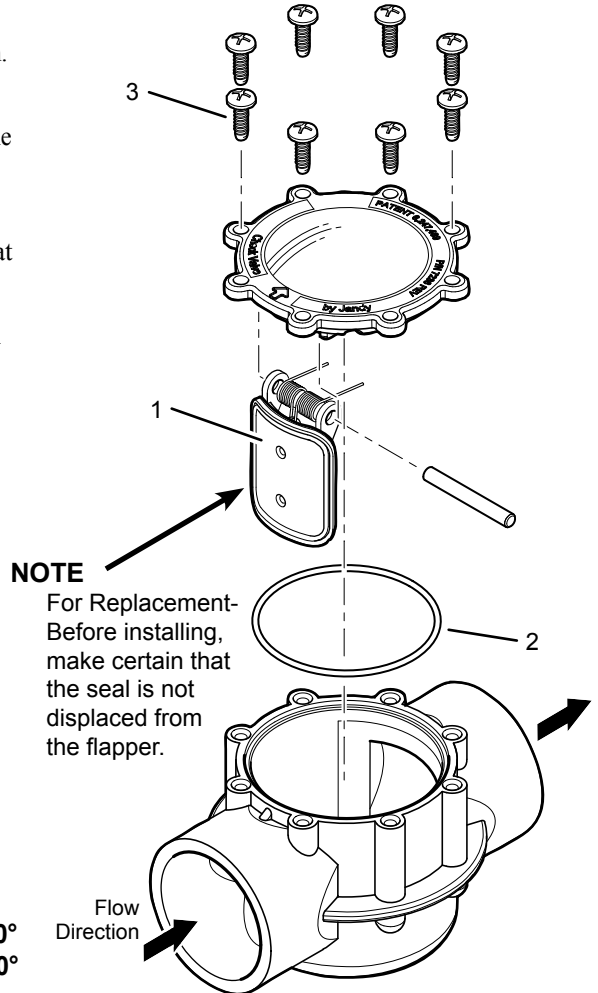
Check Valve Complete, Part No. 7235, 1½" - 2"
Part No. 7305, 2" - 2½"
Part No. 7307, 2½" - 3"
Part No. 7511, 1½" - 2" - 90°
Part No. 7512, 2" - 2½" - 90°

Item No.	Part No.	Description
1	7056	Cover w/Flapper Assy.*
1	R0466000	Cover w/Flapper Assy. 2½"-3"*
2	1132	151 O-Ring 1½"-2" and 2" - 2½"
2	R0465700	241 O-Ring 2½"-3"
3	1298	#14 x 3/4 Valve Housing Screws
		<i>*(Includes Flapper Assembly, Pin Cover, Spring & O-Ring)</i>

Zodiac Pool Systems, Inc.
 2620 Commerce Way, Vista, CA 92081
 1.800.822.7933 | www.ZodiacPoolSystems.com

ZODIAC® is a registered trademark of Zodiac International, S.A.S.U., used under license. All trademarks referenced herein are the property of their respective owners.

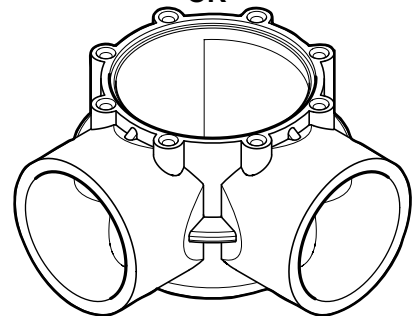
©2012 Zodiac Pool Systems, Inc. H0292100 Rev C 1206



Flow Direction

180° Valve Housing

OR



90° Valve Housing

